

NXM36

CAMERA HOUSING FOR INSTALLATION IN AGGRESSIVE ENVIRONMENTS



IP66

IP67

IP68

IP69



NXM36 + VIPNX

DESCRIPTION

The NXM36 housing has been developed for installations in highly corrosive areas such as industrial chemical, petrochemical, marine, naval and offshore platforms; entirely made from electropolished and passivated AISI 316L stainless steel for maximum protection against deterioration.

The IP66/IP67/IP68/IP69 level guarantees complete protection against bad weather and water immersion.

The options of wiper and water pump ensure a constant cleaning of the front window

For the coldest environments down to -40°C (-40°F), the range includes a specific version with reinforced heater.

The NXM36 product is Lloyd's Register Type Approval System Test Specification Number 1 certified and therefore can be used in Marine and Offshore applications for environmental categories ENV1, ENV2, ENV3 and ENV5 (eg. passenger ships, open-air decks, closed spaces and technical areas that may be subject to heat generated by other equipment, docking procedures).

CERTIFICATIONS



MAIN FEATURES

Made of AISI 316L electropolished stainless steel

Cylindrical body enclosed by two 6mm(0.24in)-thick circular flanges

2 PG13.5 cable glands in nickel-plated brass for external connections

IP66/IP67/IP68/IP69

Marine Certification: Lloyd's Register Marine Type Approval

Available accessories: heater and double heater (for temperatures down to -40°C (-40°F), camera power supply, wiper and washer pump

TECHNICAL DATA

GENERAL

Housing manufactured in polished stainless steel (austenitic stainless alloy steel resistant to corrosion and heat):

- AISI 316L
- UNI 6900-71: X 2 Cr Ni Mo 17 12 2
- DIN 17006: X 2 Cr Ni Mo 17 13 2
- N° werkstoff: 1.4404
- AFNOR: Z2 CND 17-12
- BSI: 316S11

The screws utilised are in austenitic alloy stainless steel, corrosion and heat resistant according to the following standards:

- ISO: 7380
- AISI: 316
- ISO quality: A4
- Resistance class ISO: from 50 to 70

MECHANICAL

Approximate useful internal dimensions:

- Standard versions (WxH): 88x86mm (3.5x3.4in)
- Dual heating version (WxH): 55x86mm

Internal usable length:

- Standard versions: 334mm (13.1in)
- Versions with heating and/or power supply: 245mm (9.6in)

External dimensions (ØxL): 154x358mm

Cable glands: 2xPG13.5 (nickel-plated brass for external connections)

Flange thickness: 6mm (0.24in) (front/back)

Gaskets: High sealing O-ring

Housing window

- Material: Tempered extra clear glass
- Usable diameter: 97mm (3.8in)
- Thick: 4mm (0.16in)

Unit weight: 5kg (11lb)

ELECTRICAL

Standard version

Supply voltage/Current consumption (version with heater, Ton 15°C±3°C (59°F ±5°F), Toff 22°C±3°C (72°F±5°F)):

- 12Vdc, 1.6A max
- 24Vac, 0.85A max, 50/60Hz
- 120Vac, 0.35A max, 50/60Hz
- 230Vac, 0.18A max, 50/60Hz

Version with double heater

Supply voltage/Current consumption (version with double heater, Ton 15°C±3°C (59°F ±5°F), Toff 22°C±3°C (72°F±5°F)):

- 120Vac, 0.7A max, 50/60Hz
- 230Vac, 0.35A max, 50/60Hz

ENVIRONMENT

For indoors and outdoors installation

Submersible: up to -40m (-130ft) (pressure: 4bar)

Operating temperature (standard version, with heater): from -20°C (-4°F) up to +60°C (140°F)

Operating temperature (with double heater): from -40°C (-40°F) up to +60°C (140°F)

Relative humidity: from 5% up to 95%

CERTIFICATIONS

Electrical safety (CE): EN60950-1, EN62368-1

Electromagnetic compatibility (CE): EN50130-4, EN61000-6-3

IP protection degree (EN60529): IP66, IP67, IP68, IP69

EAC certification

CERTIFICATIONS - MARINE APPLICATIONS

Lloyd's Register Marine Type Approval certification:

- Test Specification Number 1 (ENV1, ENV2, ENV3, ENV5)

Electromagnetic compatibility: EN60945

Salty fog resistance: EN60068-2-52

Tested at 70°C (158°F) for 16 hours in compliance with EN60068-2-2

ACCESSORIES

NXCTPG13SS	Kit of 2xPG 13.5 stainless steel cable glands IP68 for stainless steel housings
ONXMAIRB	Front flange with air barrier and tempered glass
ONXMAIRBIR	Front flange with air barrier and with IR-proof glasses
NXFIGRU2	Filtering group for compressed air cleaning
OHEH06B	Heater, 120Vac or 230Vac, for housings NXM36, NTM36
OHEH05B	Heater, 12Vdc or 24Vac, for housings NXM36, NTM36
ONXPS1B	Wide range camera power supply IN from 100Vac up to 240Vac - OUT 12Vdc, 1.25A, for housings NXM36, NTM36, NXL, NTL
ONXPS2B	Camera transformer, IN 230Vac, 50Hz - OUT 24Vac, 50Hz, 400mA, for housings NXM36, NTM36, NXL, NTL
VIPNX1C	230Vac stainless steel wiper for NXM housing
VIPNX2C	24Vac stainless steel wiper for NXM housing
WASOV5L5M00	Water tank 5l (1.3gal), pump with delivery up to 5m (16ft), IN 230Vac-24Vac-120Vac
WASOV23L5M00	Water tank 23l (6gal), pump with delivery up to 5m (16ft), IN 230Vac-24Vac-120Vac
WASOV23L11M00	Water tank 23l (6gal), pump with delivery up to 11m (36ft), IN 230Vac-24Vac-120Vac
WAS1V23L30M00	Water tank 23l (6gal), pump with delivery up to 30m (98ft) with water floating, IN 230Vac
WAS3V23L30M00	Water tank 23l (6gal), pump with delivery up to 30m (98ft) with water floating, IN 120Vac
WASPTOV5L5M00	Water tank 5l (1.3gal), pump with delivery up to 5m (16ft), IN 230Vac-24Vac-120Vac
WASPTOV23L5M00	Water tank 23l (6gal), pump with delivery up to 5m (16ft), IN 230Vac-24Vac-120Vac
WASPTOV23L11M00	Water tank 23l (6gal), pump with delivery up to 11m (36ft) with water floating, IN 230Vac-24Vac-120Vac
WASPT1V23L30M00	Water tank 23l (6gal), pump with delivery up to 30m (98ft) with water floating, IN 230Vac
WASPT3V23L30M00	Water tank 23l (6gal), pump with delivery up to 30m (98ft) with water floating, IN 120Vac
DTWRX	Data receiver for remote control of the wiper and WASPT range pumps in stand-alone housings
WASNX1V10L20M00	Tank 10l (2.6gal) with integrated manual pump, controlled by solenoid valve, IN 230Vac, delivery head up to 30m (98ft), with 20m (66ft) antistatic water delivery pipe
WASNX2V10L20M00	Tank 10l (2.6gal) with integrated manual pump, controlled by solenoid valve, IN 24Vac, delivery head up to 30m (98ft), with 20m (66ft) antistatic water delivery pipe
WASNX3V10L20M00	Tank 10l (2.6gal) with integrated manual pump, controlled by solenoid valve, IN 120Vac, delivery head up to 30m (98ft), with 20m (66ft) antistatic water delivery pipe

BRACKETS AND ADAPTORS

NXWBS1	AISI 316L stainless steel wall bracket with joint
NXCOL	AISI 316L stainless steel pole adapter module
NXCW	AISI 316L stainless steel corner adapter module
NXWTU	AISI 316L stainless steel adapter module for oblique surfaces
MHXWFWCA	AISI 316L stainless steel ball joint
MHXWBS	AISI 316L stainless steel wall bracket

RELATED PRODUCTS

NXPTH Stainless steel P&T motor

SPARE PARTS

ONXM36MAN Maintenance kit for NXM36

PACKAGE

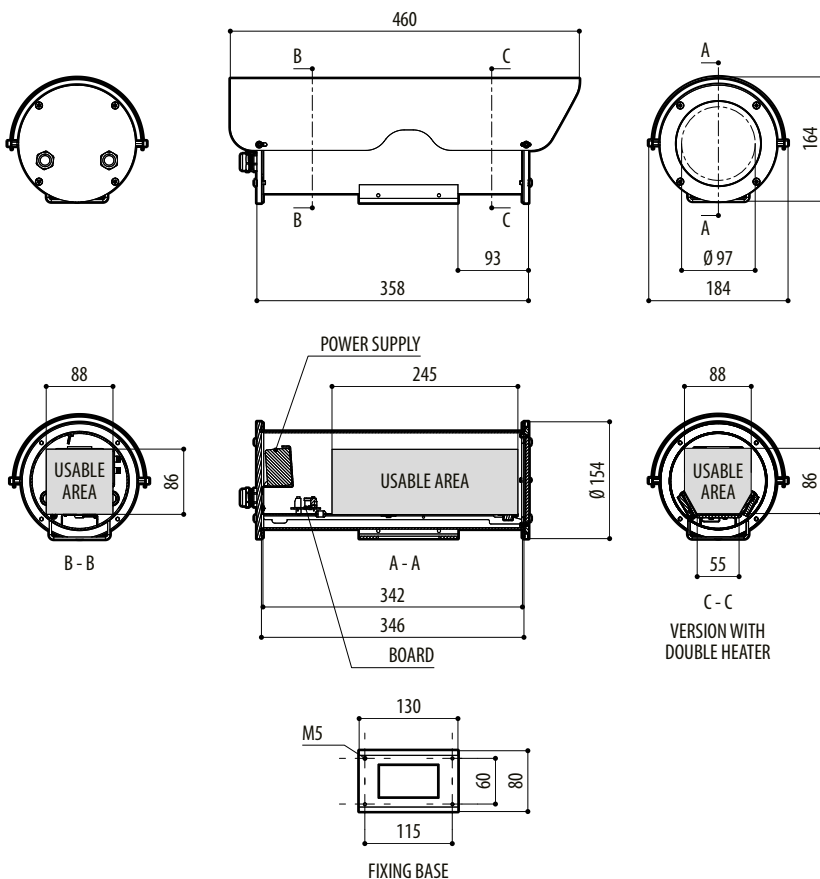
Model Number	Weight	Dimensions (WxHxL)	Master carton
NXM36	6.4kg (14lb)	29.5x19.5x49cm (11.6x7.7x3.8in)	-

AVAILABLE MODELS

Model Number	Sunshield	Heater 120Vac/230Vac	Heater 12Vdc/24Vac	Double heating 120Vac/230Vac	Consumption max
NXM36D0000	-	-	-	-	-
NXM36K1000	√	√	-	-	40W
NXM36K1050	√	-	-	√	80W
NXM36K2000	√	-	√	-	20W

TECHNICAL DRAWINGS

The indicated measurements are expressed in millimetres.



NXM36