

GEKO IRN

LED ILLUMINATOR



IP66

IP67

IK10

TYPE
4X



GEKO IRN 24VAC/12-24VDC WHITE LIGHT

DESCRIPTION

The GEKO lights the entire scene evenly, eliminating hotspots and underexposures, for unbeatable night-time images and secure surveillance of the area.

The high efficiency heat sink body ensures maximum LED durability and protection against over-temperatures, whereas the front glass, made of special technopolymer, provides high infrared transmittance.

The illuminators are protected against electrostatic discharges.

The illuminator is available in versions 24Vac/12-24Vdc or 100-240Vac with integrated power supply.

GEKO is supplied with a wall-mount bracket that rotates horizontally and vertically.

The GEKO infrared illuminator guarantee is 5 years, while for GEKO with the white light is 2 years.



GEKO IRN 24VAC/12-24VDC



GEKO IRN 24VAC/12-24VDC

MAIN FEATURES

High efficiency ultimate SMD LED technology

High efficiency heat sink body to ensure maximum LEDs durability

Strong aluminium structure

Vandal-proof protection (IK10)

The illuminator is supplied in 12-24Vdc/24Vac or 100-240Vac

Beam patterns: 10°, 30°, 60°

Wavelengths: 850nm, 940nm, white light

Average power consumption at working state: 30W

Adjustable light intensity

Adjustable built-in photocell

VOLT-free relay input for external activation

VOLT free relay output for Day/Night camera

Supplied with a wall-mount bracket

IP66/IP67

TECHNICAL DATA

GENERAL

Supplied complete with support
Adjustable built-in twilight sensor for automatic activation and deactivation
LED SMD

MECHANICAL

Die cast aluminum body
Dimensions: 187x251x242mm (7.4x9.9x9.5in)
Unit weight:

- 1.7kg (3.7lb) (from 12Vdc up to 24Vdc, 24Vac)
- 2.2kg (4.8lb) (from 100Vac up to 240Vac)

ELECTRICAL

Supply voltage/Current consumption:

- from 12Vdc up to 24Vdc, 2.5A max
- 24Vac, 2.5A max, 50/60Hz
- from 100Vac up to 240Vac, 1.5A max, 50/60Hz

Power supply voltages permitted tolerance:

- from 100Vac up to 240Vac: $\pm 10\%$
- 24Vac or 24Vdc: $\pm 10\%$
- 12Vdc: $\pm 5\%$

Input for activation by means of external dry contact
Dry contact output (Follow)
Multipolar cable L: 2m (6.56ft)

- Control: 4x0.34mm² (22AWG)
- Power supply from 12Vdc up to 24Vdc, 24Vac: 2x0.75mm² (18AWG)
- Power supply from 100Vac up to 240Vac: 3x0.75mm² (18AWG)

ENVIRONMENT

For indoors and outdoors installation
Operating temperature: from -40°C (-40°F) up to +60°C (140°F)
Relative humidity: from 5% up to 95%

CERTIFICATIONS

Electrical safety (CE): EN60950-1, IEC60950-1, EN62368-1, IEC62368-1
Electromagnetic compatibility (CE): EN50130-4, EN55032 (Class A), EN61000-6-4
Electromagnetic compatibility (North America): FCC part 15 (Class A), ICES-003 (Class A)
Outdoor installation (CE): EN60950-22, IEC60950-22
Photobiological safety (CE): EN62471, IEC62471
IP protection degree (EN60529): IP66, IP67
IK protection degree: IK10
UL certification (UL60950-1, CAN/CSA C22.2 No. 60950-1-07): cULus Listed
Level of protection Type (UL50E): 4X
EAC certification
Restriction of Hazardous Substances (RoHS), Directive 2011/65/EU
Waste Electrical and Electronic Equipment (WEEE), Directive 2012/19/EU

PACKAGE

Model Number	Weight	Dimensions (WxHxL)	Master carton
IRN10B8AS00	3kg (6.6lb)	30x24x16cm (12x9.5x6.3in)	-
IRN10A8AS00	3.5kg (7.7lb)	30x24x16cm (12x9.5x6.3in)	-

GEKO IRN - BEAM PATTERN AND ACHIEVABLE DISTANCES FOR ONE ILLUMINATOR

Horizontal and vertical beam patterns	Maximum distance		
	850nm	940nm	White light
10°	240m (787ft)	140m (460ft)	-
30°	130m (427ft)	80m (262ft)	120m (393ft) ¹
60°	80m (262ft)	60m (197ft)	90m (295ft) ¹

¹ Achievable distances with camera in Day mode (colour image)

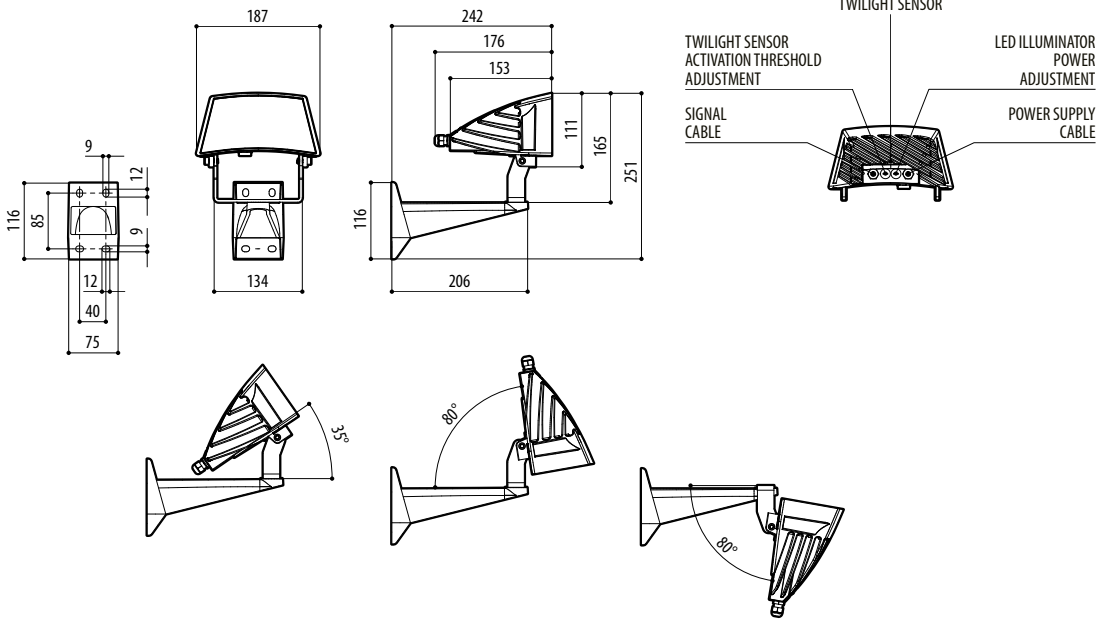
The distances and the performance depend on the camera/lens used and on the environmental conditions.

GEKO IRN - CONFIGURATION OPTIONS

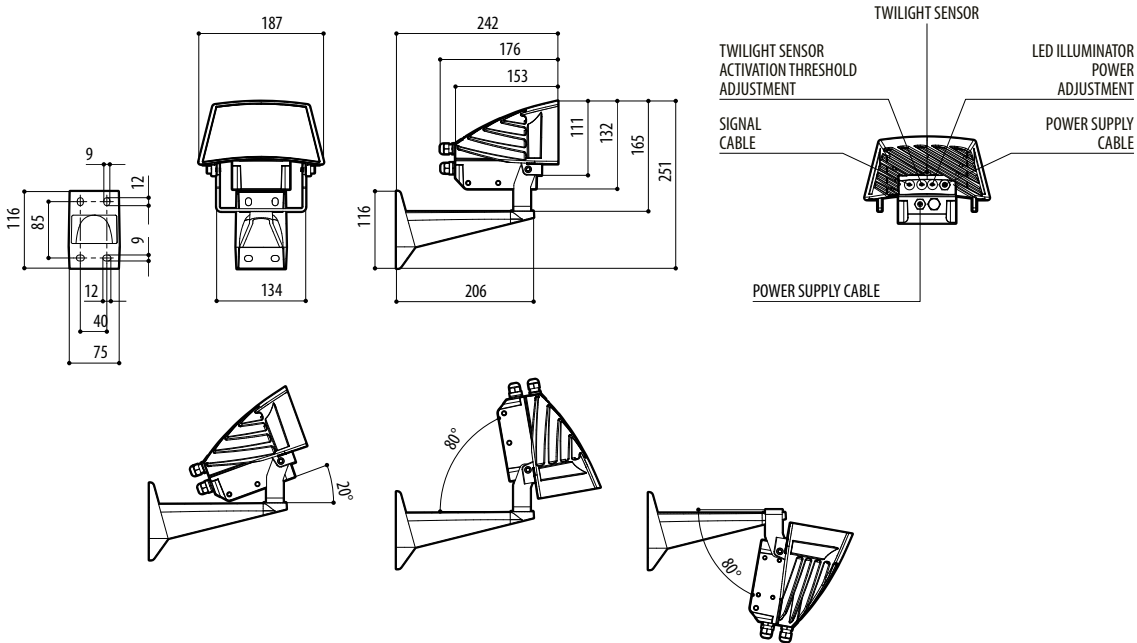
	Beam patterns	Power supply	Wavelength		Version	
IRN	10 Narrow	A 90-240Vac	8 850nm	A	S Single illuminator	00
	30 Medium	B 12-24Vdc, 24Vac	9 940nm			
	60 Wide		W White light			

TECHNICAL DRAWINGS

The indicated measurements are expressed in millimetres.



GEKO IRN (FROM 12VDC A 24VDC, 24VAC).



GEKO IRN (FROM 100VAC A 240VAC).