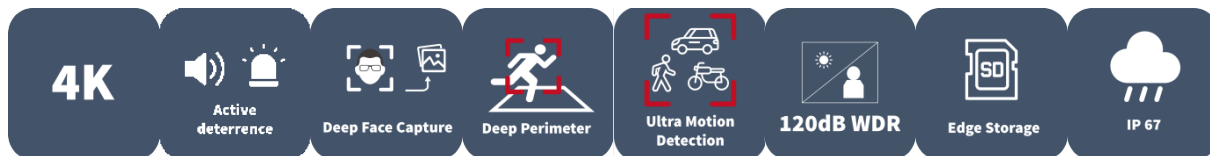


# 8MP HD Intelligent Light and Audible Warning Fixed Bullet Network Camera

IPC2128SB-ADF28(40)KMC-I0



## Features

- High quality image with 8MP, 1/2.7"CMOS sensor
- 8MP (3840\*2160)@20fps; 5MP (3072\*1728)@30/25fps; 4MP (2560\*1440)@30/25fps; 2MP (1920\*1080) @30/25fps
- Ultra 265, H.265, H.264, MJPEG
- Smart intrusion prevention, include cross line, intrusion, enter area, leave area detection
- Based on target classification, smart intrusion prevention significantly reduce false alarm caused by leaves, birds and lights etc., accurately focus on human and, motor vehicle and non-motor vehicle
- Intelligent People Flow Counting and Crowd Density Monitoring
- 120dB true WDR technology enables clear image in strong light scene
- Support 9:16 Corridor Mode
- Built-in Mic
- Built-in Speaker
- Smart IR, up to 30m (98ft) IR distance
- Supports 512 G Micro SD card
- IP67 protection

## Specifications

Model	IPC2128SB-ADF28KMC-I0	IPC2128SB-ADF40KMC-I0
<b>Camera</b>		
Max Resolution	8 MP	
Sensor	1/2.7" CMOS	
Min. Illumination	Colour: 0.0025 lux ( F1.6, AGC ON) 0 Lux with light	
Day/Night	IR-cut filter with auto switch (ICR)	
Shutter	Auto/Manual, 1 ~ 1/100000s	
Adjustment Angle	Pan: 0° ~ 360°, Tilt: 0° ~ 90°, Rotate: 0° ~ 360°	
S/N	>52 dB	
WDR	120 dB	
<b>Lens</b>		
Focal Length	2.8 mm	
Iris Type	Fixed	
Iris	F1.6	
Field of View (H)	112.4°	
Field of View (V)	60.1°	
Field of View (D)	146.1°	
Lens Type	Fixed	
<b>DORI</b>		
DORI Distance (Lens)	2.8mm	
DORI Distance (Detect)	84.0m(275.6ft)	
DORI Distance (Observe)	33.6m(110.2ft)	
DORI Distance (Recognize)	16.8m(55.1ft)	
DORI Distance (Identify)	8.4m(27.6ft)	
<b>Illuminator</b>		
Supplemental Light	Dual light	
Illumination Distance (IR)	30 m (98.4 ft)	
Illumination Distance (Warm Light)	30 m (98.4 ft)	

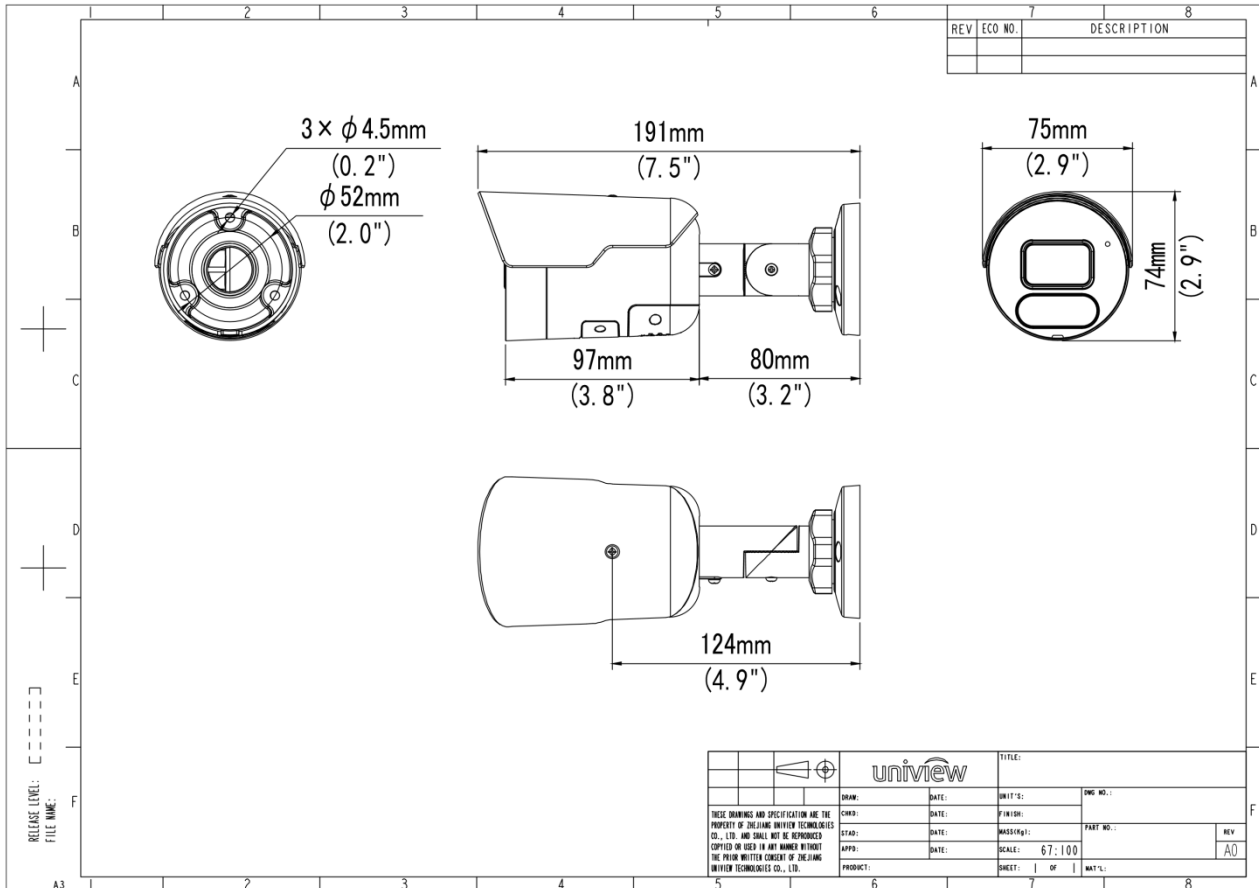
Light On/Off Control	Auto/Manual	
Wavelength	850 nm	
<b>Video</b>		
Video Compression	Ultra 265 H.265 H.264 MJPEG	
H.264 Code Profile	Baseline profile, Main profile, High profile	
Frame Rate	Main Stream: 8MP (3840*2160), Max 20fps; 5MP (3072*1728), Max 30fps; 4MP (2560*1440), Max 30fps; 1080P (1920*1080), Max 30fps; Sub Stream: 1080P (1920*1080), Max 30fps; 720P (1280*720), Max 30fps; D1 (720*576), Max 30fps; 640*360, Max 30fps; 2CIF(704*288), Max 30fps; CIF(352*288), Max 30fps; Third Stream: D1 (720*576), Max 30fps; 640*360, Max 30fps; 2CIF(704*288), Max 30fps; CIF(352*288), Max 30fps;	
Video Bit Rate	128 Kbps to 16 Mbps	
U-code	Support	
OSD	Up to 8 OSDs	
Privacy Mask	Up to 4 areas	
ROI	Support	
Video Stream	Triple Streams	
<b>Image</b>		
White Balance	Auto Outdoor Fine Tune Sodium Lamp Locked Auto2	
Digital Noise Reduction	2D/3D DNR	
Smart IR	Support	
Flip	Normal Flip Vertical Flip Horizontal 180° 90° Clockwise 90° Anti-clockwise	
Dewarping	Support	
HLC	Support	
BLC	Support	

Defog	Digital Defog	
<b>Intelligent</b>		
Smart Intrusion Prevention	Cross line detection, intrusion detection, enter area detection, leave area detection (support false alarm filtering and the classification of human, non-motor vehicle and vehicle)	
Statistical Analysis	N/A	
People Counting	Support People Flow Counting and Crowd Density Monitoring	
<b>Events</b>		
Basic Detection	Motion Detection Ultra Motion Detection Tampering Alarm Audio Detection	
General Function	Watermark IP Address Filtering Access Policy ARP Protection RTSP Authentication User Authentication HTTP Authentication	
<b>Audio</b>		
Audio Compression	G.711U G.711A	
Audio Bitrate	64 Kbps	
Two-way Audio	Support	
Suppression	Support	
Sampling Rate	8 kHz	
<b>Storage</b>		
Edge Storage	Micro SD, up to 512 GB	
Network Storage	ANR NAS (NFS)	
<b>Network</b>		
Protocols	IPv4 IPv6 IGMP ICMP ARP TCP UDP DHCP RTP RTSP RTCP RTMP DNS DDNS NTP FTP UPnP HTTP HTTPS SMTP SSL/TLS 802.1x SNMP PPPoE	
Compatible Integration	ONVIF (Profile S, Profile G, Profile T, Profile M) API SDK	

User/Host	Up to 32 users. 3 user levels: administrator, common user and operator	
Security	Password Protection Strong Password HTTPS Encryption Export Operation Logs Basic and Digest Authentication for RTSP Digest Authentication for HTTP TLS 1.2 WSSE and Digest Authentication for ONVIF	
Client	UNV-Link UNV-Link Pro EZStation	
Web Browser	Plug-in required live view: IE 10+, Chrome 45+, Firefox 52+, Edge 79+ Plug-in free live view: Chrome 57+, Firefox 58+, Edge 16+	
<b>Interface</b>		
Audio I/O	N/A	
Alarm I/O	N/A	
Serial Port	N/A	
Built-in Mic	Support	
Built-in Speaker	Support	
WIFI	N/A	
Network	1 × RJ45 10 M/100 M Base-TX Ethernet	
Video Output	N/A	
<b>Certification</b>		
EMC	CE-EMC (EN 55032, EN 61000-3-3, EN IEC 61000-3-2, EN 55035) FCC (FCC 47 CFR part15 B)	
Safety	CE LVD (EN 62368-1) CB (IEC 62368-1) UL/CUL (UL 62368-1, CAN/CSA C22.2 No. 62368-1)	
Environment	CE-RoHS (2011/65/EU;(EU)2015/863); WEEE (2012/19/EU);	
Protection	IP67 (IEC 60529)	

General		
Power	DC 12V±25%, PoE (IEEE 802.3af)	
Power Consumption	Max 10.5W	
Power Interface	Ø5.5 mm coaxial power plug	
Dimensions	191×75×74mm (7.5"×2.9"×2.9") (L x W x H)	
Weight	0.41kg (0.90lb)	
Material	Metal	
Working Environment	-30 °C to 60 °C (-22 °F to 140 °F), Humidity: ≤ 95% RH (non-condensing)	
Storage Environment	-30 °C to 60 °C (-22 °F to 140 °F), Humidity: ≤ 95% RH (non-condensing)	
Surge Protection	4 KV	
Reset Button	Support	
Web Client Language	20 Languages: Traditional Chinese, English, Simplified Chinese, Polish, German, Russian, French, Korean, Dutch, Czech, Portuguese (Europe), Portuguese (Brazil), Japanese, Thai, Turkish, Spanish (Latin America), Spanish (Europe), Hungarian, Italian, Vietnamese	

## Dimensions



## Accessories

TR-JB05-B-IN

Small Bullet Junction Box(Elegant White)



TR-UP06-C-IN

Pole Mounting Bracket for Bullet Junction Box Only



TR-A01-IN

NPT 3/4" Waterproof Cable Gland



TR-UC08-C

Bullet&Dome Corner Mounting Bracket



**Zhejiang Uniview Technologies Co., Ltd.**

No. 369, Xietong Road, Xixing Sub-district, Binjiang District, Hangzhou City, 310051, Zhejiang Province, China (Zhejiang) Pilot Free Trade Zone, China

Email: [overseasbusiness@uniview.com](mailto:overseasbusiness@uniview.com); [globalsupport@uniview.com](mailto:globalsupport@uniview.com)

<http://www.uniview.com>

©2023-2024 Zhejiang Uniview Technologies Co., Ltd. All rights reserved.

\*Product specifications and availability are subject to change without notice.

\*Despite our best efforts, technical or typographical errors may exist in this document. Uniview cannot be held responsible for any such errors and reserves the right to change the contents of this document without prior notice.