

DS-2DB4236I-CWX(T5/316L) EXIR 36 × Bullet Explosion-proof Network Camera



- Ex-mark: ATEX: Ex II 2GD Ex db IIC T6 Gb /Ex tb IIIC T80°C Db; IECEx: Ex db IIC T6 Gb /Ex tb IIIC T80°C Db
- 1/1.8" progressive scan CMOS
- Up to 1920 × 1080@30fps resolution
- Min. illumination: Color: 0.0005 Lux @(F1.2, AGC ON) , B/W: 0.0001 Lux @(F1.2, AGC ON) , 0 Lux with IR
- 36× optical zoom, 12× digital zoom
- 120 dB WDR, HLC, BLC, 3D DNR, Defog, EIS, Regional Exposure, Regional Focus
- Up to 200 m IR distance
- Support H.265+/H.265 video compression

▪ Specification

Camera	
Image Sensor	1/1.8" progressive scan CMOS
Max. Resolution	1920 × 1080
Min. Illumination	color: 0.0005 Lux @ (F1.2 , AGC ON) B/W: 0.0001 Lux @ (F1.2, AGC ON) , 0 Lux with IR
Shutter Speed	1/1 s to 1/30,000 s
Day & Night	ICR
Zoom	36 × optical, 12 × digital
Slow Shutter	yes
Lens	
Focal Length	6.0 to 216 mm, 36 × optical
FOV	Horizontal field of view: 59° to 1.98° (wide-tele) Vertical field of view: 34.16° to 1.12° (wide-tele) Diagonal field of view: 67.1° to 2.3° (wide-tele)
Focus	Auto/Semi-automatic/Manual
Aperture	F1.2
Zoom Speed	approx. 4.6 s
Illuminator	
Supplement Light Type	IR
Supplement Light Range	200 m
Smart Supplement Light	yes
IR Wavelength	850 nm
PTZ	
Park Action	yes
Scheduled Task	Preset
Power-off Memory	yes
Video	
Main Stream	50 Hz: 25 fps (1920 × 1080, 1280 × 960, 1280 × 720) 60 Hz: 30 fps (1920 × 1080, 1280 × 960, 1280 × 720)
Sub-Stream	50 Hz: 25 fps (704 × 576, 640 × 480, 352 × 288) 60 Hz: 30 fps (704 × 480, 640 × 480, 352 × 240)
Third Stream	50 Hz: 25 fps (1920 × 1080, 1280 × 960, 1280 × 720, 704 × 576, 640 × 480, 352 × 288) 60 Hz: 30 fps (1920 × 1080, 1280 × 960, 1280 × 720, 704 × 480, 640 × 480, 352 × 240)
Video Compression	Main Stream: H.265+/H.265/H.264+/H.264 Sub-stream: H.265/H.264/MJPEG Third Stream: H.265/H.264/MJPEG
Video Bit Rate	32 Kbps to 16384 Kbps
H.264 Type	Baseline Profile/Main Profile/High Profile
H.265 Type	Main Profile
Scalable Video Coding (SVC)	Support
Region of Interest (ROI)	8 fixed regions for each stream
Audio	
Audio Compression	G.711alaw, G.711ulaw, G.722.1, G.726, MP2L2, PCM
Audio Bit Rate	64 Kbps (G.711)/16 Kbps (G.722.1)/16 Kbps (G.726)/32-192 Kbps (MP2L2)

Audio Sampling Rate	8 kHz/16 kHz/32 kHz/48 kHz
Environment Noise Filtering	yes
Network	
Protocols	IPv4/IPv6, HTTP, HTTPS, 802.1x, QoS, FTP, SMTP, UPnP, SNMP, DNS, DDNS, NTP, RTSP, RTCP, RTP, TCP/IP, UDP, IGMP, ICMP, DHCP, PPPoE, Bonjour
Simultaneous Live View	Up to 20 channels
API	Open Network Video Interface (Version 19.12, Profile S, Profile G, Profile T), ISAPI, SDK, ISUP
Smooth Streaming	yes
User/Host	Up to 32 users, 3 user levels: administrator, operator, and user
Security	Password protection, complicated password, HTTPS encryption, 802.1X authentication (EAP-TLS, EAP-LEAP, EAP-MD5), watermark, IP address filter, basic and digest authentication for HTTP/HTTPS, RTP/RTSP over HTTPS, control timeout settings, security audit log, TLS 1.2, TLS 1.3, host authentication (MAC address)
Network Storage	NAS (NFS, SMB/CIFS), auto network replenishment (ANR)
Client	iVMS-4200, HikCentral Pro, Hik-Connect
Web Browser	IE11, Chrome 57+, Firefox 52+, Safari 11+
Image	
Image Parameters Switch	Yes
Image Settings	Saturation, brightness, contrast, sharpness, gain, and white balance adjustable by client software or web browser
Day/Night Switch	auto
Wide Dynamic Range (WDR)	120 dB WDR
SNR	≥52dB
Defog	Optical defog
Image Enhancement	HLC/BLC/3D DNR/Defog/EIS/Regional Exposure/Regional Focus
Privacy Mask	24 programmable polygon privacy masks, mask color or mosaic configurable
Interface	
Ethernet Interface	1 RJ45 10 M/100 M Ethernet
On-board Storage	support microSD/microSDHC/microSDXC cards, up to 256 GB
Audio	1-ch audio input and 1-ch audio output
Alarm	1-ch alarm input and 1-ch alarm output
RS-485	1 RS-485 (Half duplex, HIKVISION, Pelco-P, Pelco-D, self-adaptive)
Event	
Basic Event	Motion detection, video tampering alarm, exception, alarm input and output
Smart Event	Line crossing detection, intrusion detection, region entrance detection, region exiting detection, unattended baggage detection, object removal detection, audio exception detection
Alarm Linkage	Upload to FTP/NAS/memory card, notify surveillance center, send email, trigger alarm output, trigger recording
Deep Learning Function	
Face Capture	<ol style="list-style-type: none"> 1. Detects up to 10 faces simultaneously 2. Uploads face with background and closed-up face pictures 3. Support detecting, tracking, capturing, grading, selecting of face in motion, and output the best face picture of the face

General	
Power	100 VAC to 240 VAC & PoE+ (IEEE802.3at class4) Max. 25 W
Dimension	513.2 × 169 × 308 mm (20.2"× 6.65" × 12.13")
Weight	19.8 kg (43.66 lb.)
Material	SUS316L with anti-corrosion surface spray treatment
Operating Condition	-40°C to 60°C (-40°F to 140°F) , Working Humidity≤ 95%
Cable Length	1.1 m (3.61 ft.)
General Function	Anti-flicker, heartbeat, mirror, flash log, password reset via e-mail, pixel counter, password protection, one-key reset, three streams
Wiper	yes
Approval	
EMC	FCC (47 CFR Part 15, Subpart B); CE-EMC (EN 55032: 2015, EN 61000-3-2: 2014, EN 61000-3-3: 2013, EN 50130-4: 2011 +A1: 2014); RCM (AS/NZS CISPR 32: 2015); IC (ICES-003: Issue 6, 2016); KC (KN 32: 2015, KN 35: 2015)
Safety	UL (UL 62368-1); CB (IEC 60950-1:2005 + Am 1:2009 + Am 2:2013); CE-LVD (EN 62368-1:2014+A11:2017); BIS (IS 13252 (Part 1):2010+A1:2013+A2:2015); LOA (IEC/EN 60950-1)
Environment	CE-RoHS (2011/65/EU); WEEE (2012/19/EU); Reach (Regulation (EC) No 1907/2006)
Protection	IP68, 6000V Lightning Protection, Surge Protection and Voltage Transient Protection
Explosion-Proof Protection	Ex-mark: ATEX: Ex II 2GD Ex db IIC T6 Gb /Ex tb IIIC T80°C Db; IECEx: Ex db IIC T6 Gb /Ex tb IIIC T80°C Db

▪ DORI

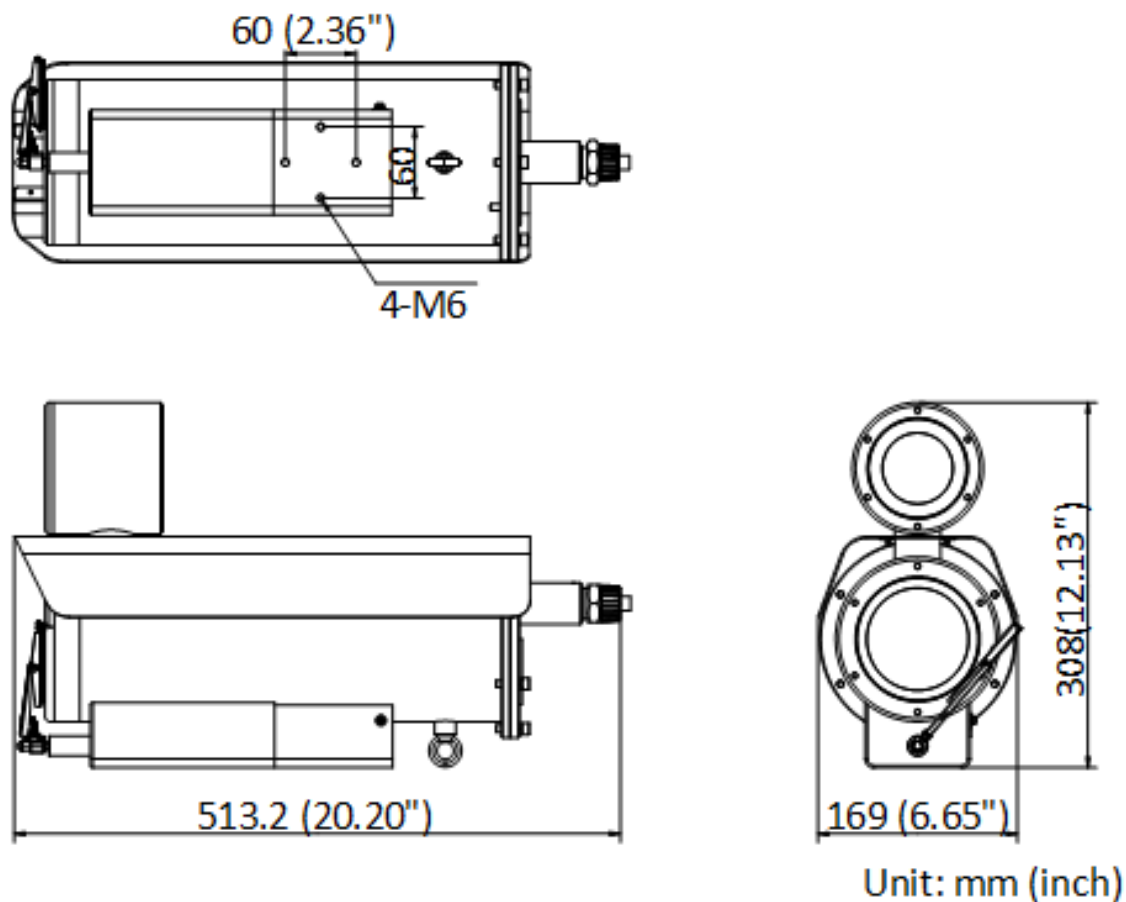
The DORI (detect, observe, recognize, identify) distance gives the general idea of the camera ability to distinguish persons or objects within its field of view. It is calculated based on the camera sensor specification and the criteria given by EN 62676-4: 2015.

DORI	Detect	Observe	Recognize	Identify
Definition	25 px/m	63 px/m	125 px/m	250 px/m
Distance (Tele)	2965m (9725.2 ft)	1177m (3860.6 ft)	593m (1945 ft)	297m (974.2 ft)

▪ Available Model

DS-2DB4236I-CWX(T5/316L)

▪ **Dimension**



▪ **Accessory**

▪ **Optional**

DS-2XE2601-1-Y(SS) Explosion Proof Flexible Conduit	DS-1707ZJ-Y-AC(OS) Wall mount	DS-2780ZJ-X(OS)(O-STD) /316L Junction box
		

Headquarters

No.555 Qianmo Road, Binjiang District,
Hangzhou 310051, China
T +86-571-8807-5998
www.hikvision.com



Follow us on social media to get the latest product and solution information.

